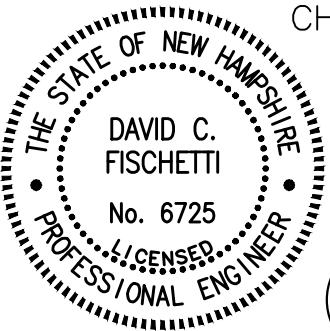
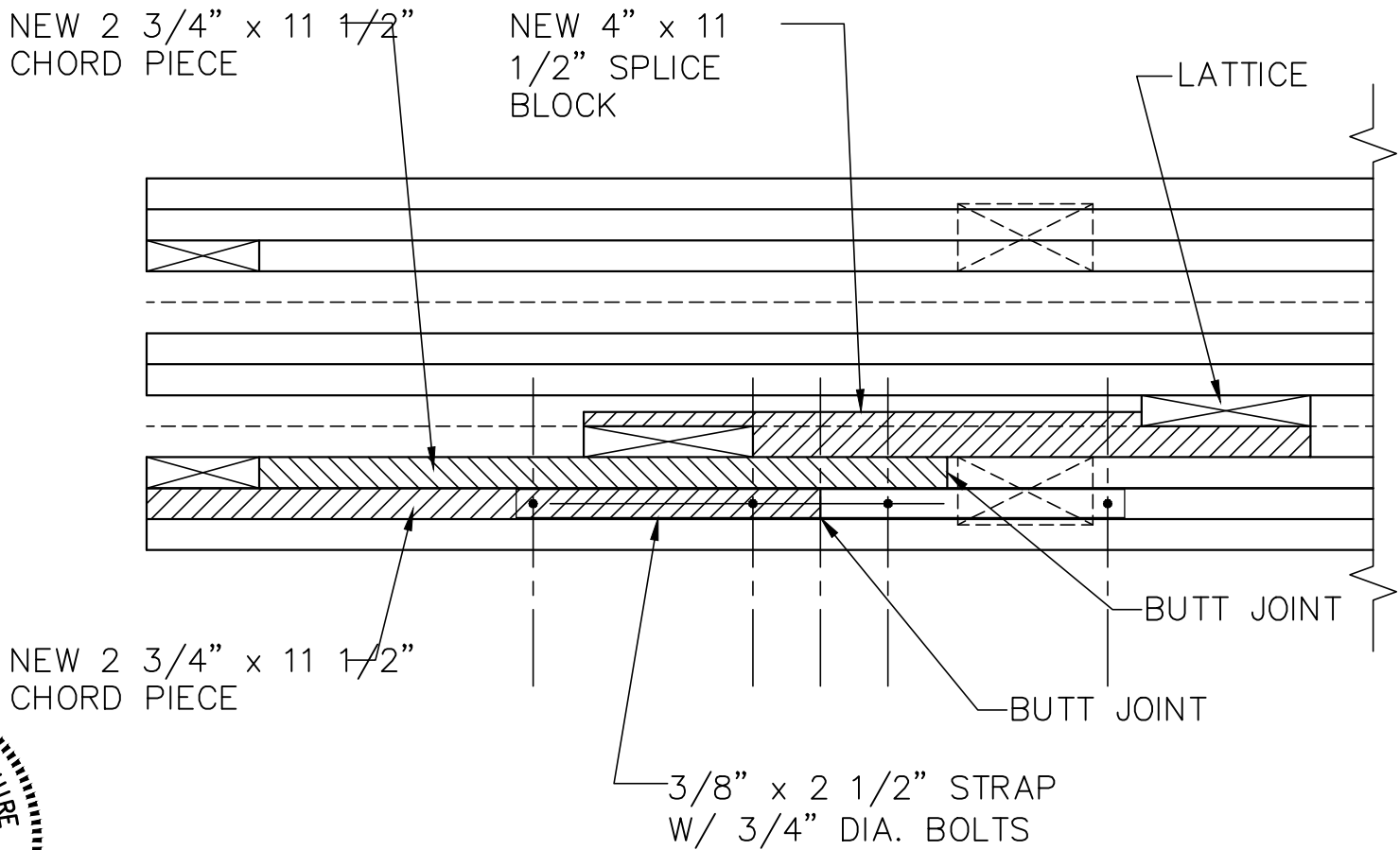


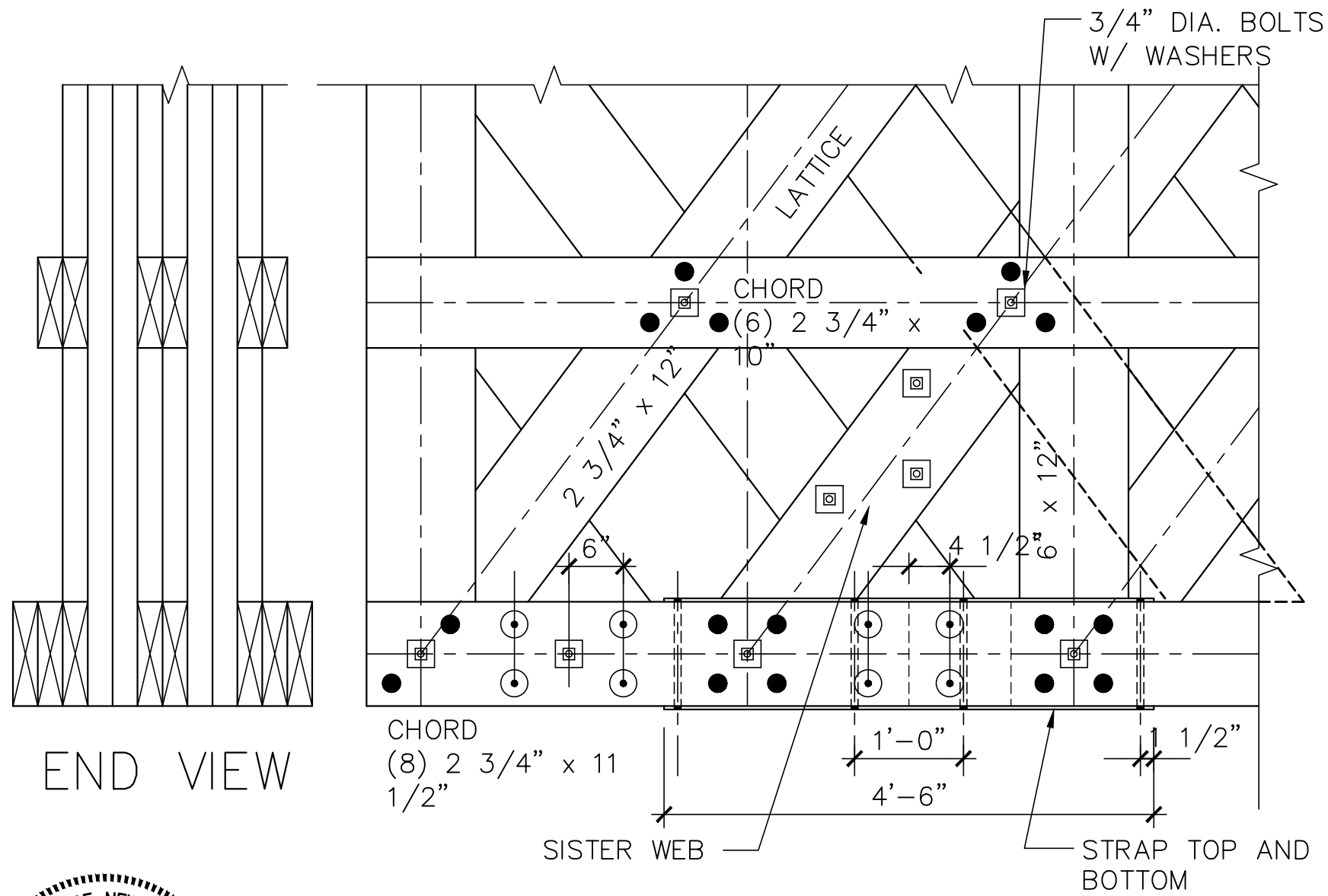
1

PARTIAL ELEVATION @ BOLSTER BEAMS AND PEDESTAL

SCALE 3/4" = 1'-0"



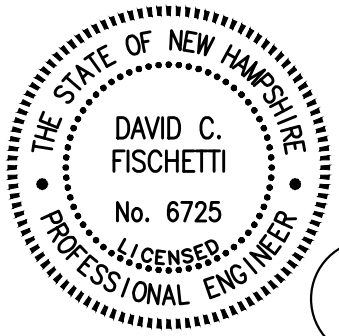
2 PARTIAL PLAN VIEW @ SPLICE  
 SCALE 3/4" = 1'-0"



- ⊙ DENOTES 3/4" DIA. BOLTS W/ 3" O.D. WASHERS.
- DENOTES 2" DIA. WOOD TRUNNEL (EXIST).

**PARTIAL ELEV. SHOWING SPLICE**

SCALE 3/4" = 1'-0"



3